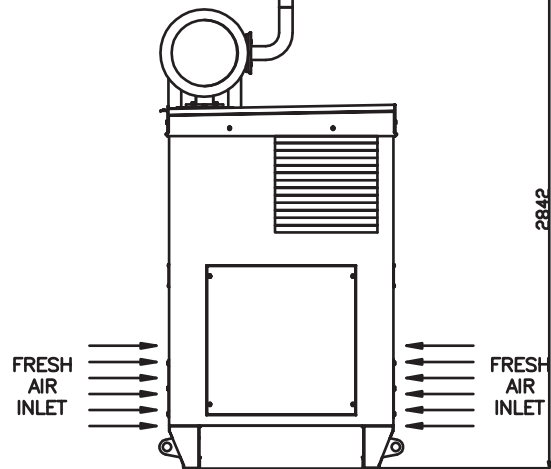
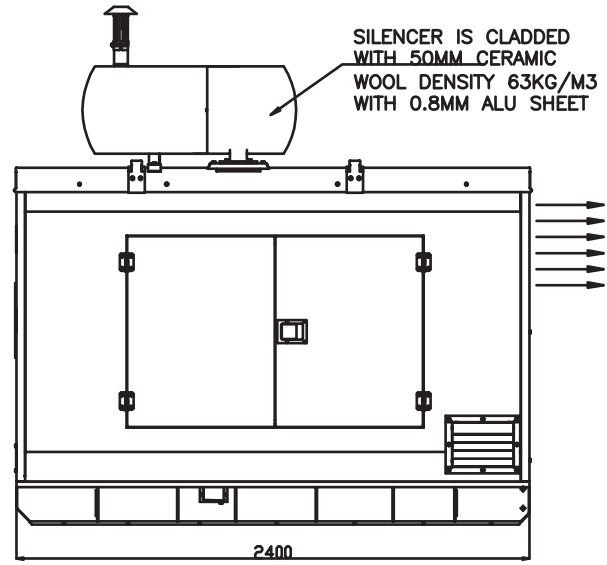


HA494TC (40KVA)

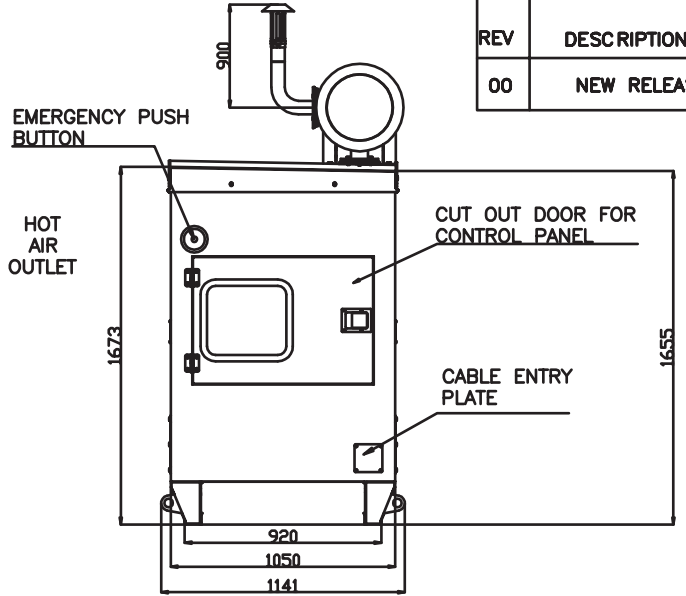
REV	DESCRIPTION
00	NEW RELEASE



VIEW FROM ALT SIDE

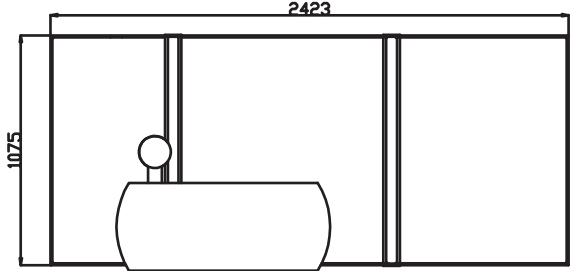
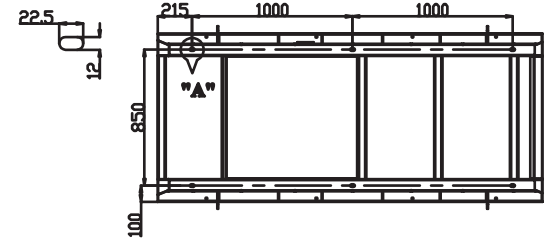


VIEW FROM FRONT

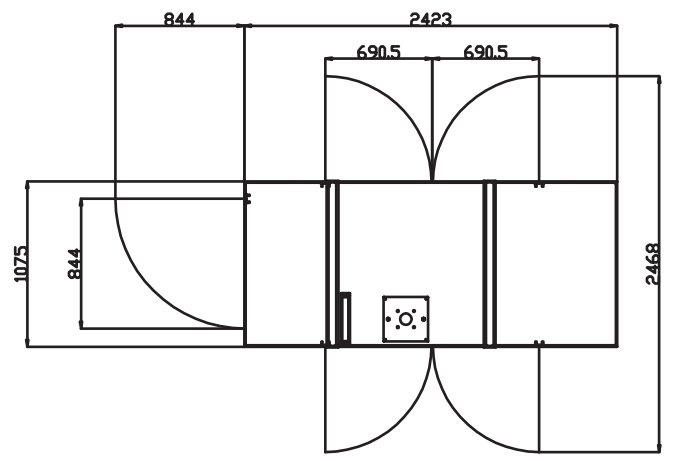


VIEW FROM ENGINE SIDE

"A" DETAILED VIEW



VIEW FROM TOP



FOUNDATION LAYOUT

- NOTES:**
1. FUEL TANK CAPACITY: 100 LITRES.
 2. HEIGHT OF FOUNDATION ABOVE FFL CAN BE MODIFIED DEPENDING UPON WATER STAGNATION.
 3. DEPTH BELOW FFL DEPEND UPON THE SOIL CONDITION AT SITE.
 4. APPROX DEPTH BELOW FFL= 500MM.
 5. PCC OR RCC SHALL BE BASED ON SOIL CONDITION.
 6. LENGTH OF GENSET = 2423 MM (7.94 ft).
 7. WIDTH OF GENSET = 1075 MM (3.52 ft).
 8. HEIGHT OF GENSET = 2848 MM (9.34 ft).

IF IN DOUBT ASK
 POINTS OF PREVIOUS REVISION NO. SHOULD BE SHOWN
 THIS DRAWING IS PROPERTY OF SUNBEAM GEN. SETS LTD. AND MUST BE RETURNED TO THE COMPANY AS SOON AS POSSIBLE. IT IS NOT TO BE REPRODUCED OR COPIED IN ANY MANNER WITHOUT THE WRITTEN PERMISSION OF THE COMPANY. ANY SUCH VIOLATION WILL BE PROSECUTED TO THE FULL EXTENT OF THE LAW.

LIFE CYCLE STATUS - RELEASED	
DESIGN	UNDESIGNED
MANUFACTURE	UNMANUFACTURED
OPERATION	UNOPERATED
MAINTENANCE	UNMAINTAINED
REPAIR	UNREPAIRED
DISPOSAL	UNDISPOSED
PROJECT NO.	SBG/GA-FND-40KVA
DATE	06/07/2004
PROJECT NAME	SUNBEAM GENERATOR PVT.LTD PONDICHERY
PROJECT CODE	SBG/GA-FND-40KVA
PROJECT NO.	02