

PRODUCED BY AN AUTODESK EDUCATIONAL PRODUCT

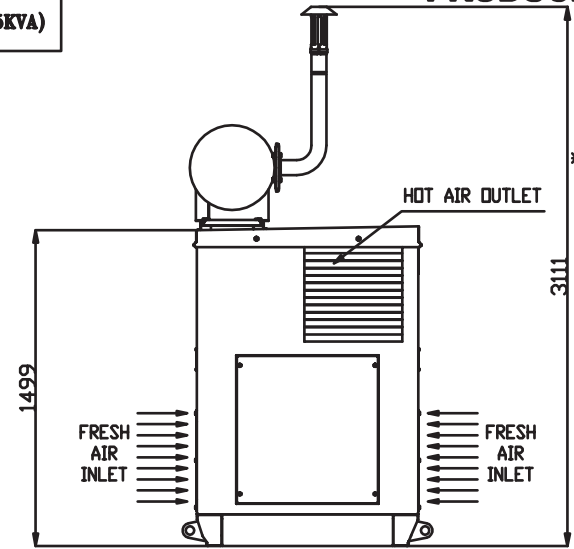
PRODUCED BY AN AUTODESK EDUCATIONAL PRODUCT

PRODUCED BY AN AUTODESK EDUCATIONAL PRODUCT

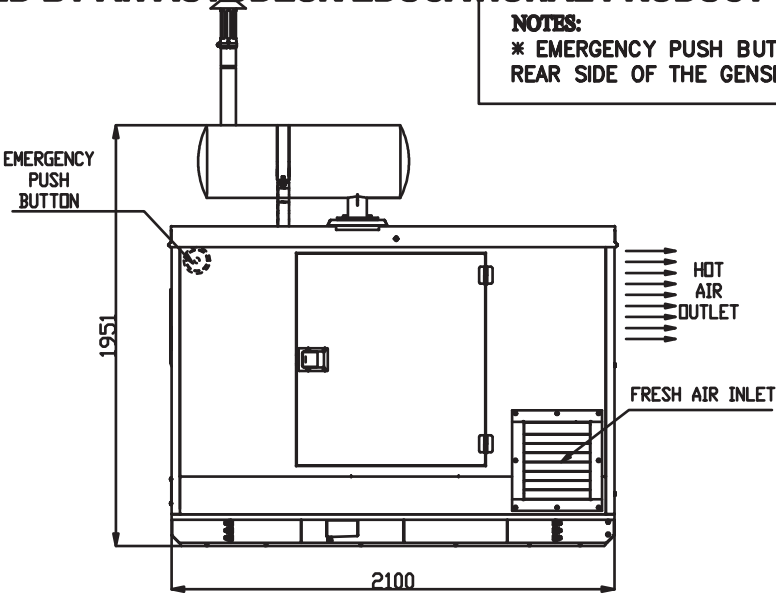
**NOTES:**  
 \* EMERGENCY PUSH BUTTON IS ON REAR SIDE OF THE GENSET.

REV	DESCRIPTION
0	NEW RELEASE

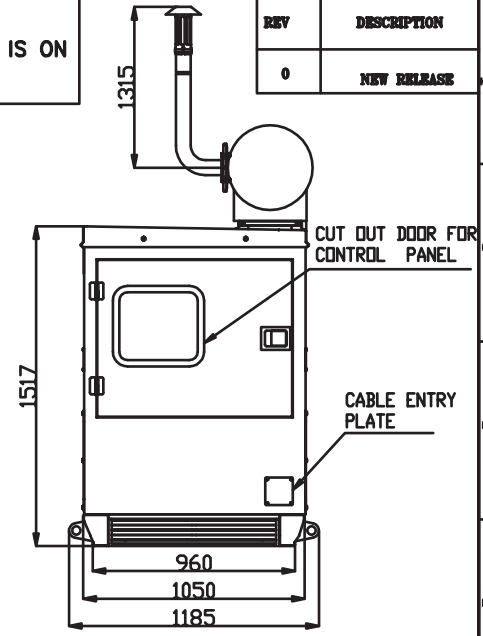
HA394(25KVA)



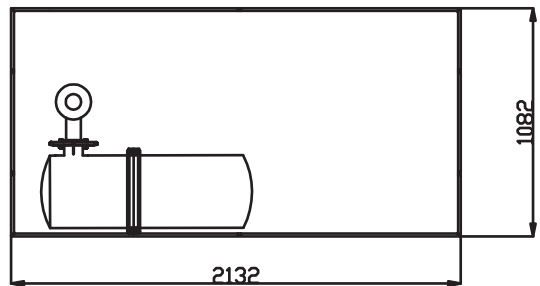
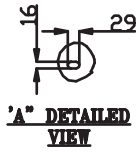
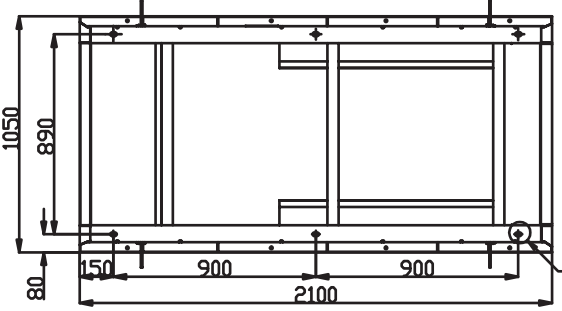
VIEW FROM ALTERNATOR



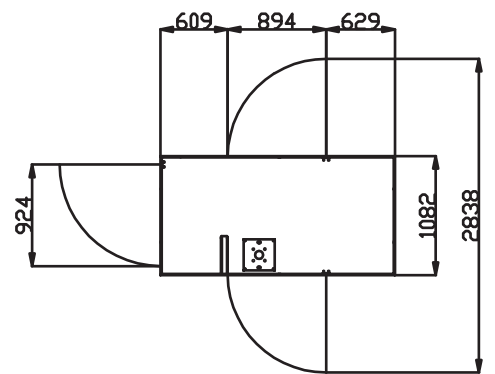
VIEW FROM FRONT SIDE



VIEW FROM ENGINE SIDE

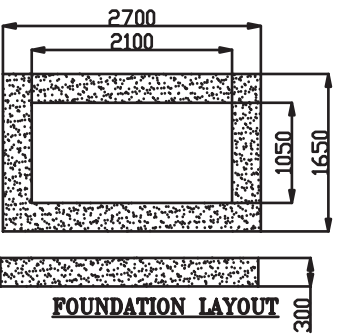


VIEW FROM TOP



INSTALLATION PLAN FOR OPEN DOOR

- NOTES:**
1. FUEL TANK CAPACITY: 65 LITRES.
  2. HEIGHT OF FOUNDATION ABOVE FFL CAN BE MODIFIED DEPENDING UPON WATER STAGNATION.
  3. DEPTH BELOW FFL DEPEND UPON THE SOIL CONDITION AT SITE.
  4. APPROX DEPTH BELOW FFL= 500MM.
  5. PCC OR RCC SHALL BE BASED ON SOIL CONDITION.
  6. LENGTH OF GENSET = 2832 MM (6.99 ft).
  7. WIDTH OF GENSET = 1185 MM (3.88 ft).
  8. HEIGHT OF GENSET = 3111 MM (10.21 ft)



FOUNDATION LAYOUT

REVISIONS		LIFECYCLE STATUS		RELEASED	
NO. OF REV.	DESCRIPTION	DATE	BY	DATE	BY
0					
DESIGN CHECKED BY: _____ DRAWN BY: _____ CHECKED BY: _____ APPROVED BY: _____ DATE: _____		PROJECT NO.: _____ TITLE: GA FIR 25KVA CPCP-II GENSET		SCALE: 1/1 SHEET NO.: 00	

IF IN DOUBT ASK  
 PROJECT ENGINEER  
 PROJECT MANAGER

PRODUCED BY AN AUTODESK EDUCATIONAL PRODUCT