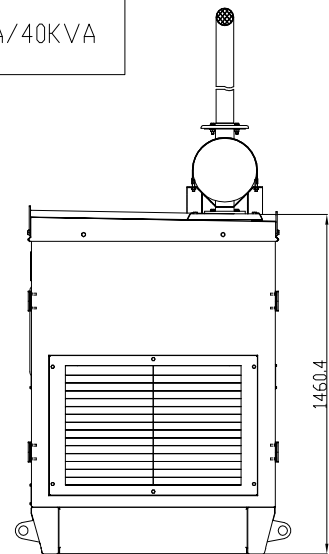
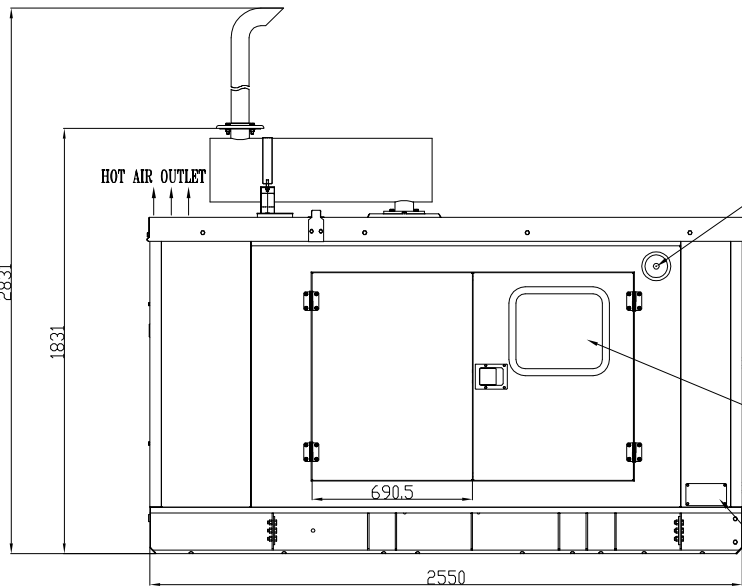


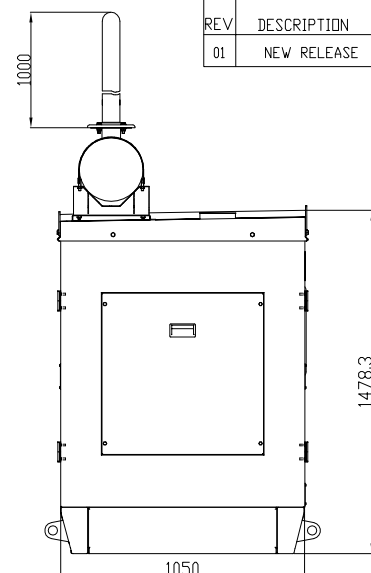
3R1040TA/40KVA



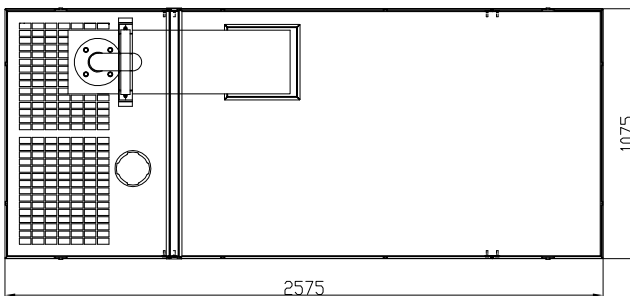
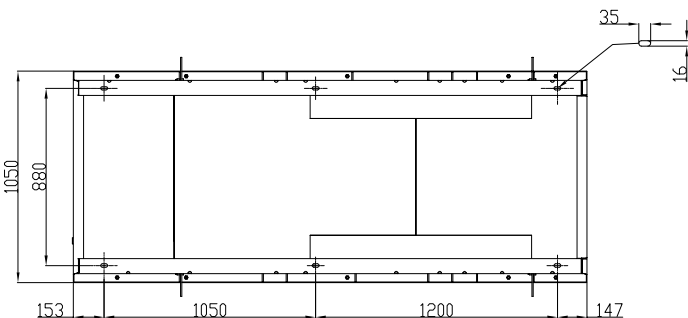
VIEW FROM ALTERNATOR



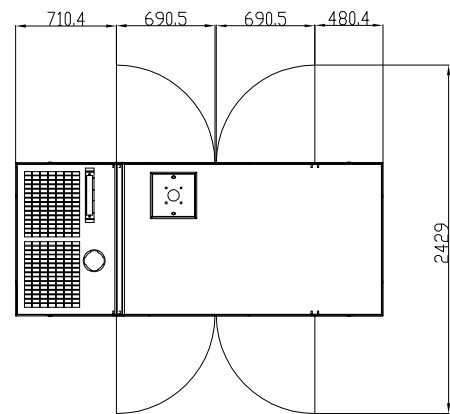
VIEW FROM FRONT



VIEW FROM ENGINE SIDE

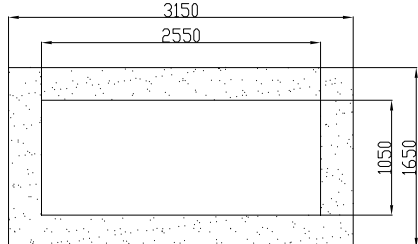


VIEW FROM TOP



INSTALLATION PLAN FOR OPEN DOOR

| REV | DESCRIPTION |
|-----|-------------|
| 01  | NEW RELEASE |



FOUNDATION LAYOUT

**NOTES:**

1. FUEL TANK CAPACITY: 250 LITRES.
2. HEIGHT OF FOUNDATION ABOVE FFL CAN BE MODIFIED DEPENDING UPON WATER STAGNATION.
3. DEPTH BELOW FFL DEPEND UPON THE SOIL CONDITION.
4. APPROX DEPTH BELOW FFL = 500MM.
5. PPC OR RCC SHALL BE BASED ON SOIL CONDITION.
6. LENGTH OF THE GENSET = 2575MM (11.72ft).
7. WIDTH OF THE GENSET = 1075MM (3.52ft).
8. HEIGHT OF THE GENSET = 2831MM (9.28ft).

|   |  |
|---|--|
| IF IN DOUBT ASK   | POINTS OF PREVIOUS REVISION NO. SHOULD BE SCRAPPED |
| THIS DRAWING IS PROPERTY OF SUNBEAM GENERATORS PVT LTD AND NOT BE REPRODUCED OR COPIED IN ANY MANNER WITHOUT THE WRITTEN PERMISSION OF SUNBEAM GENERATORS PVT LTD. IT IS NOT TO BE USED FOR ANY OTHER PURPOSE OR UNDER ANY OTHER NAME WITHOUT OUR AUTHORITY IN WRITING. |  |

|   |  |                 |  |                            |  |                   |  |                          |  |
|---|--|-----------------|--|----------------------------|--|-------------------|--|--------------------------|--|
| UNLESS OTHERWISE SPECIFIED                    |  | Dwg. DRG FILE:- |  | PLM                        |  | LIFECYCLE STATE:- |  | RELEASED                 |  |
| * ALL DIMENSIONS ARE IN mm                    |  | MATERIAL :-     |  | HEAT TREATMENT :-          |  | WEIGHT (kg) :-    |  | CASTING/FORGING DRG. NO. |  |
| * SURFACE FINISHES AS PER CO. STANDARDS       |  | DRN :-          |  | TITLE                      |  | TYPE              |  | 3R1040TA                 |  |
| * UNIDENTIFIED DIMENSIONS AS PER CUSTOMER/DRN |  | CHD :-          |  | 3R1040TA GENSET LAYOUT     |  | SCALE             |  | 1:1                      |  |
| * GENERIC ALL SHARP CORNERS AND SHARP EDGES   |  | APPR :-         |  | 40 KVA                     |  | SHEET NO          |  | 1 OF 2                   |  |
| * DRAWINGS NOT TO BE SCALED                   |  | DATE            |  | 05.07.2014                 |  | DRAWING NO.       |  | SBG/GA-FND-40KVA         |  |
| UNMENTIONED                                   |  | RADI            |  | ---                        |  | REV. NO.          |  | 00                       |  |
| CHAMFER                                       |  | ---             |  | SUNBEAM GENERATORS PVT.LTD |  | PONDICHERY        |  | ---                      |  |
| UNDERCUT                                      |  | ---             |  | ---                        |  | ---               |  | ---                      |  |
| No.   |  | REVISION        |  | ZONE                       |  | MODIFIED BY       |  | DATE                     |  |